

# SUPER TREASURY TRTL-30X6



**Body & Door:** Multi-layered structure that combines outer and inner steel plates, reinforced steel bars and a monolithic casting of Alchronite, ISM's patented torch and drill resistant composite material, embedding a layer of ISM's patented anti-penetration alloy grid.

**Bolts & Locking Mechanisms:** Three-way active boltwork. Double-action locking mechanism. Glass plate relocking protection on all locks.

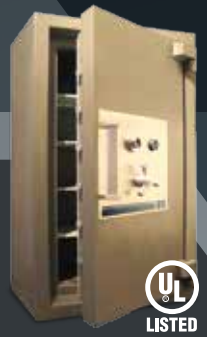
**Locks:** Two UL approved locks. Mechanical or digital combination lock and a high security key lock.

**Interior Fitting:** Adjustable removable shelves. A hole for an alarm system connection - optional.

# SUPER TREASURY TRTL-30x6

U.L. APPROVED TRTL-30X6

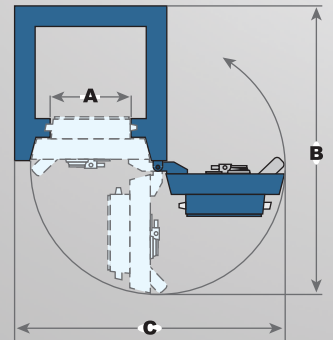
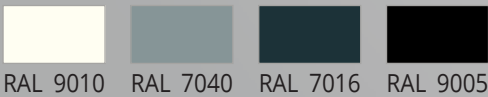
Super strong, six-sided protection against concentrated attacks with mechanical and electrical tools and oxy-acetylene torches.



Model	Inside Dimensions			Outside Dimensions			Volume CuFt	Weight* Lbs	Door Swing			Shelves
	H	W	D	H	W	D			A	B	C	
ST191616	19	16	16	26	23	28	2.8	1260	14	48.5	41	1
ST271916	27	19	16	34	26	28	4.8	1670	17	51.5	47	1
ST272617	27	26	17	34	33	29	6.9	2010	24	59.5	61	1
ST332020	33	20	20	40	27	32	7.6	2140	18	56.5	49	1
ST332617	33	26	17	40	33	29	8.4	2270	24	59.5	61	1
ST442023	44	20	23	51	27	35	11.7	2770	18	59.5	49	2
ST442617	44	26	17	51	33	29	11.3	2750	24	59.5	61	2
ST552023	55	20	23	62	27	35	14.6	3250	18	59.5	49	2
ST552617	55	26	17	62	33	29	14.1	3220	24	59.5	61	2
ST642023	64	20	23	71	27	35	17.0	3640	18	59.5	49	3
ST642617	64	26	17	71	33	29	16.4	3610	24	59.5	61	3
ST683119	68	31	19	75	38	31	23.2	4330	29	66.5	71	4
ST683626	68	36	26	75	43	38	36.8	5330	34	78.5	81	4

- \* Weight Tolerance - 5%.
- \*\* Dimensions Tolerance -  $\pm 0.5"$ .
- \*\*\* Add 2" to outside depth for 3-Spokes Operating Handle.
- \*\*\*\* Add 3.55" to outside depth for Pull-Handle.

### Colors:



### Add Ons:

- Left Swing - Optinal - No charge
- Preparation (only) for movement time-lock - No charge - By Request
- Custome interior secured compartments - By Request
- Additional shelves - By Request

